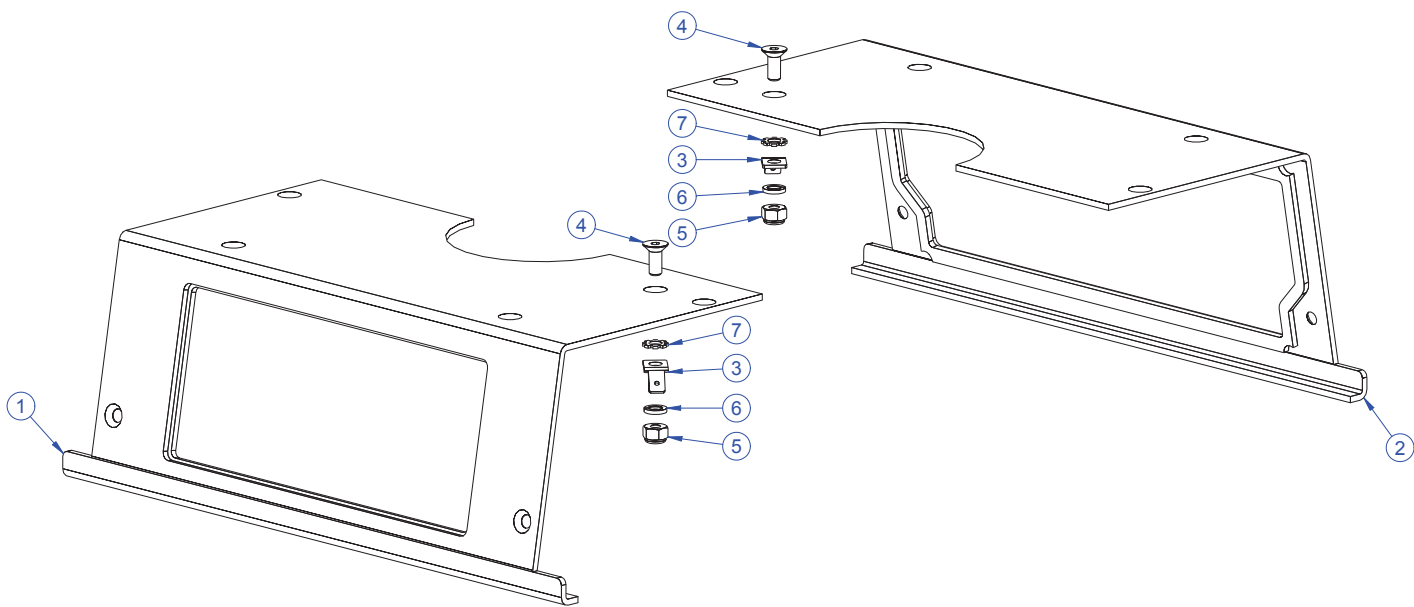
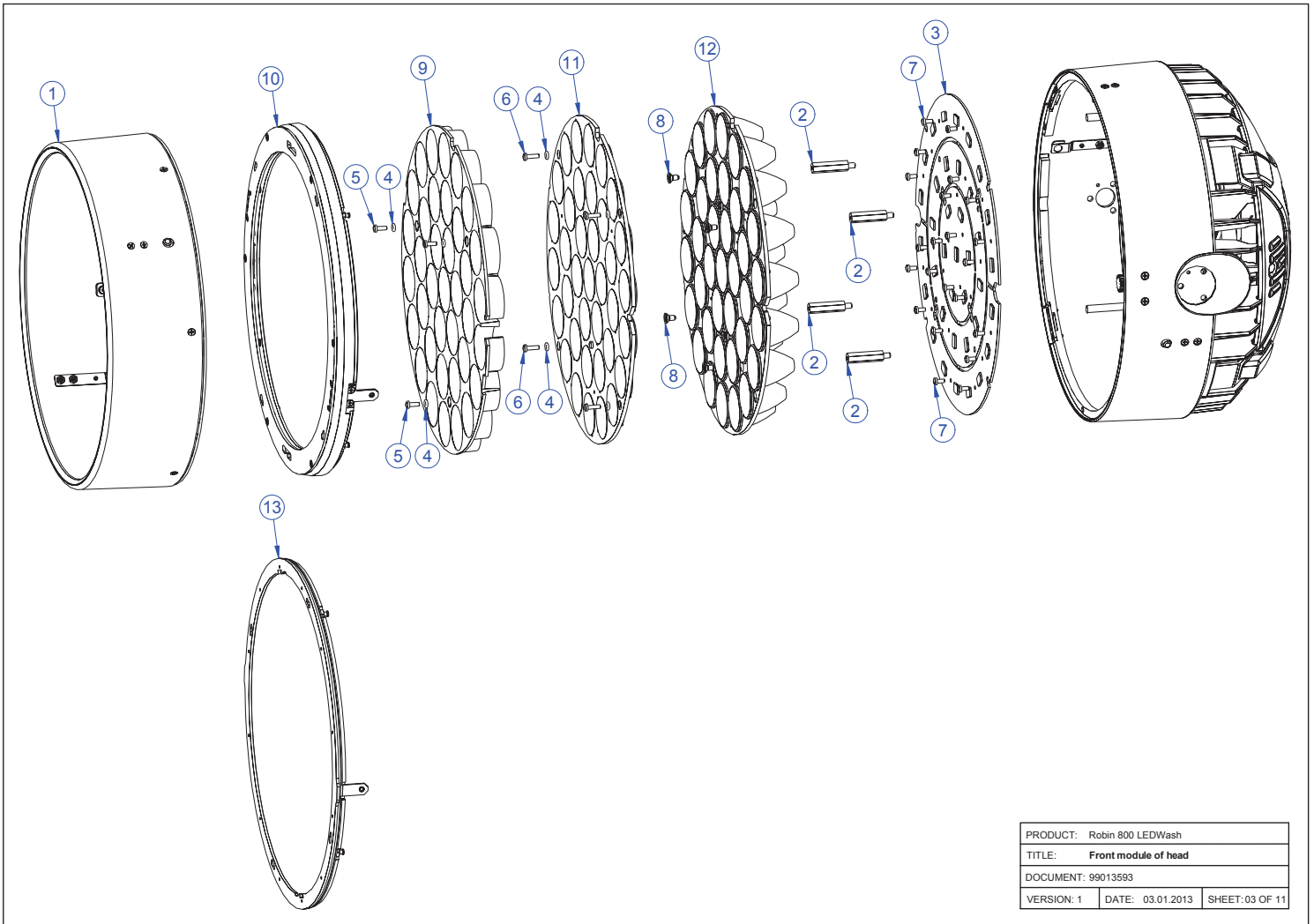


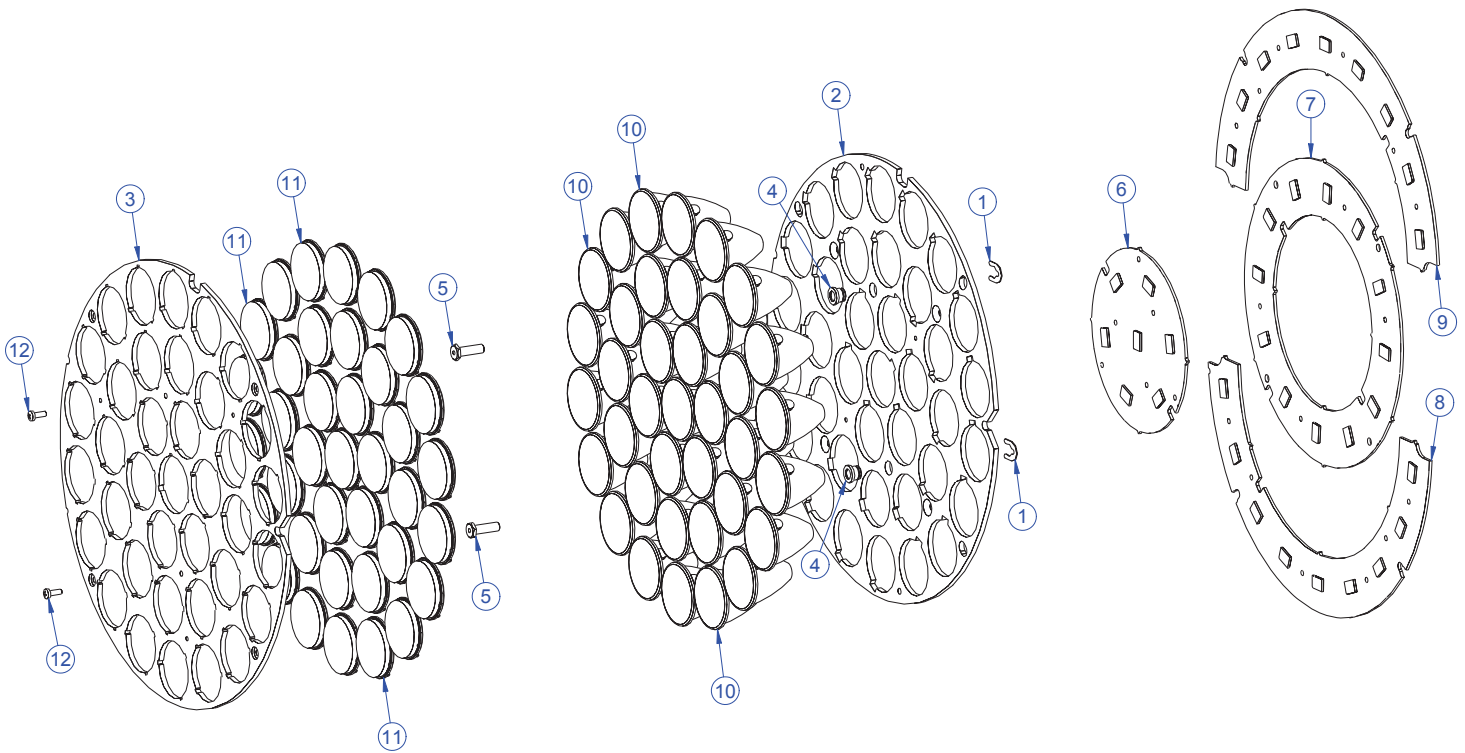
PRODUCT: Robin 800 LEDWash		
TITLE: Covers		
DOCUMENT: 99013595		
VERSION: 1	DATE: 03.01.2013	SHEET: 01 OF 11



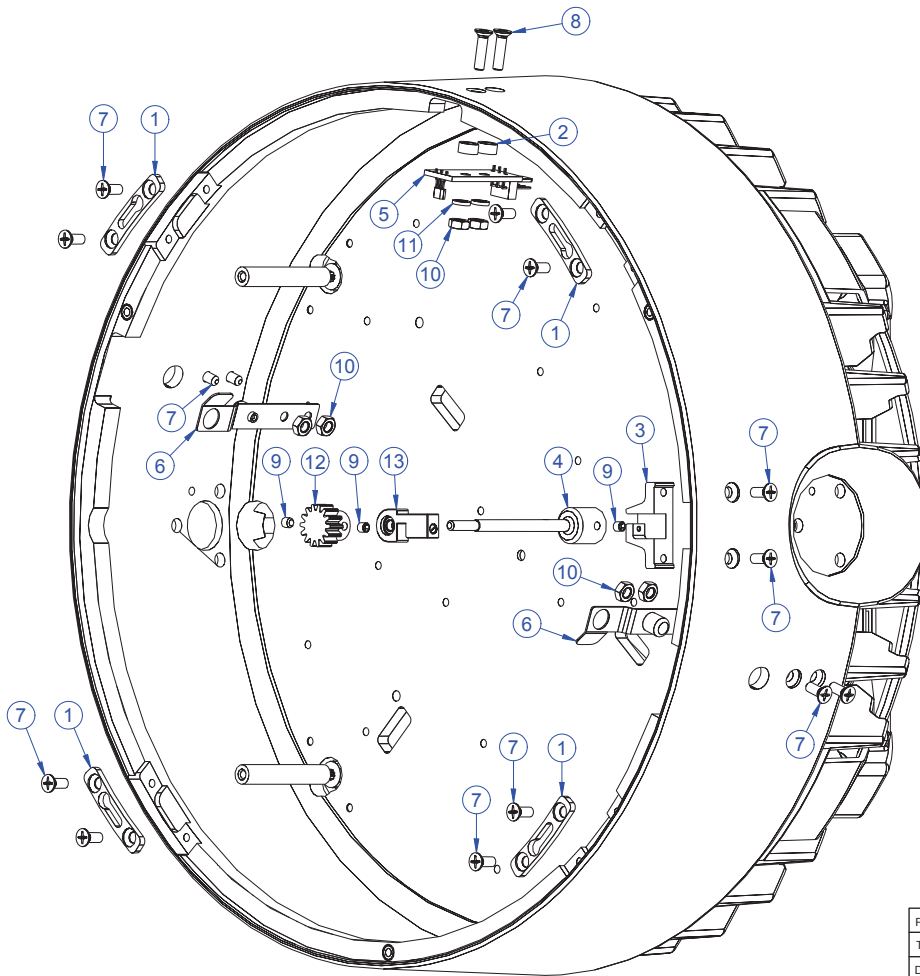
PRODUCT: Robin 800 LEDWash		
TITLE: Covers of base		
DOCUMENT: 99013594		
VERSION: 1	DATE: 03.01.2013	SHEET: 02 OF 11



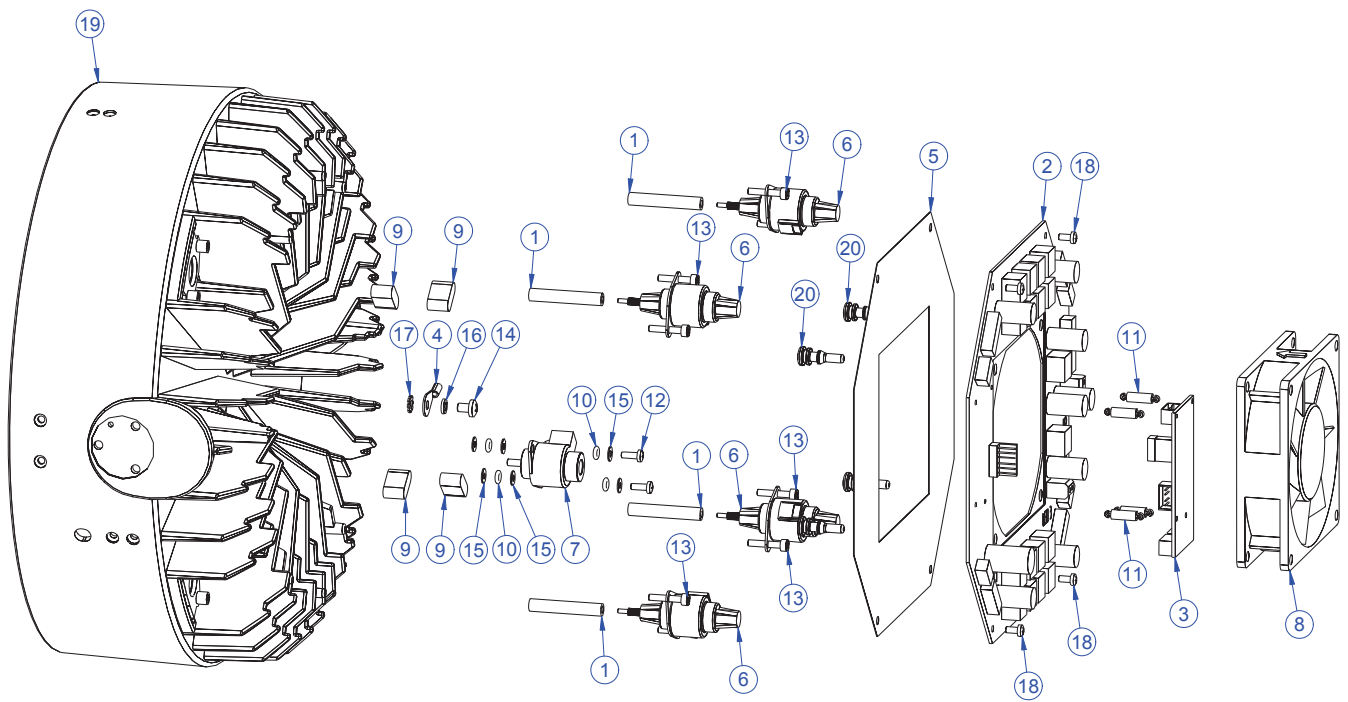
PRODUCT: Robin 800 LEDWash		
TITLE: Front module of head		
DOCUMENT: 99013593		
VERSION: 1	DATE: 03.01.2013	SHEET: 03 OF 11



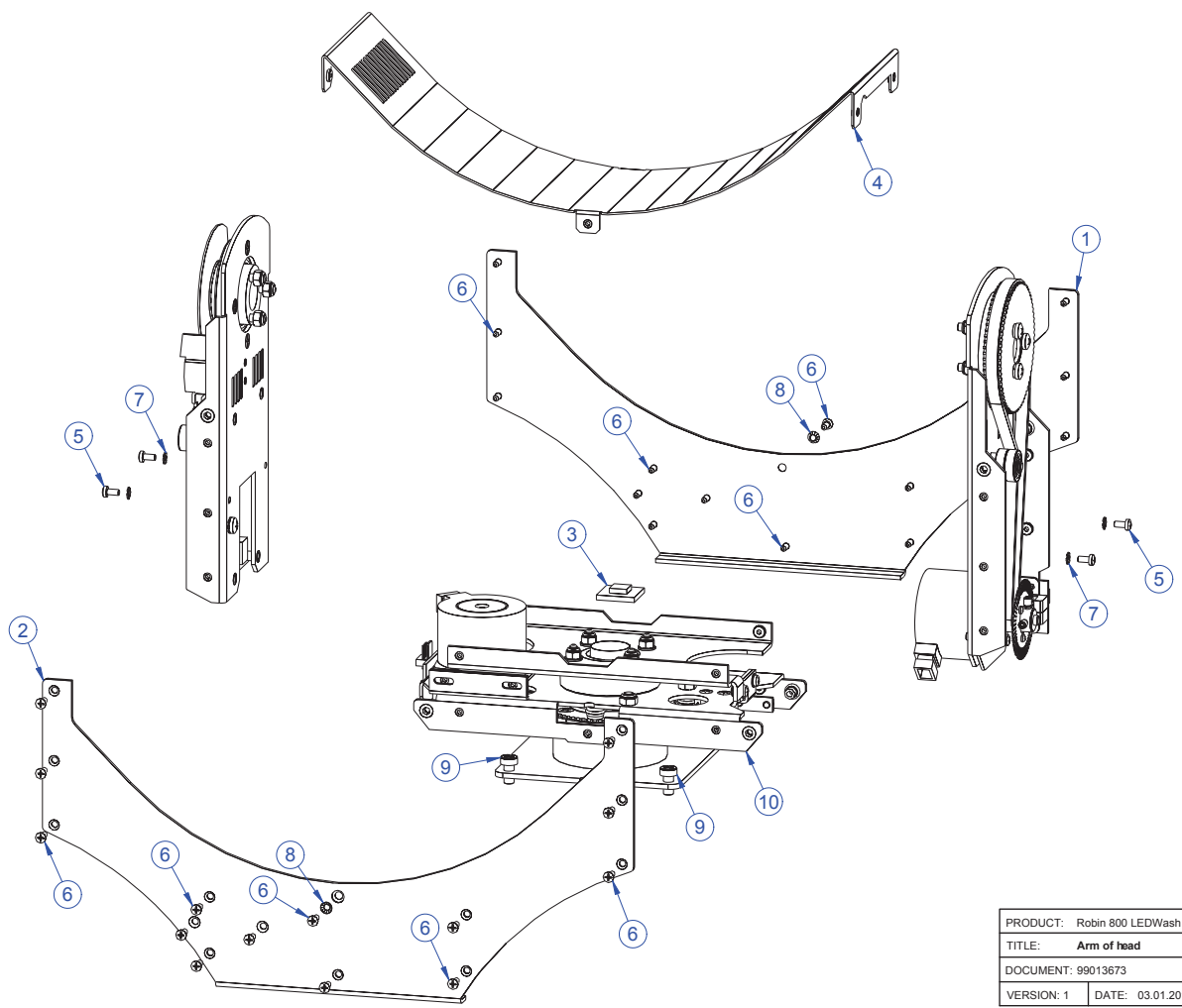
PRODUCT: Robin 800 LEDWash		
TITLE: Explode assembly		
DOCUMENT: 99013593		
VERSION: 1	DATE: 03.01.2013	SHEET: 04 OF 11



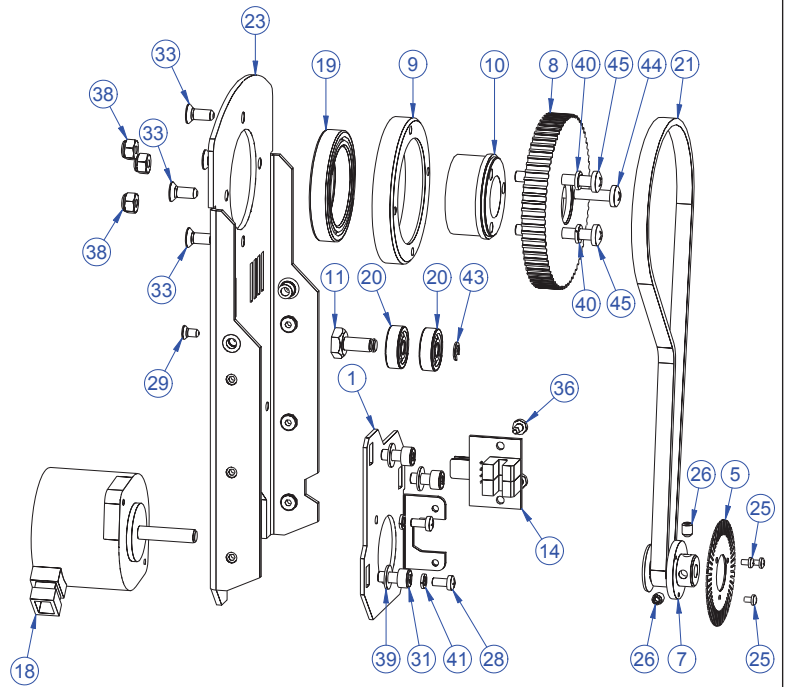
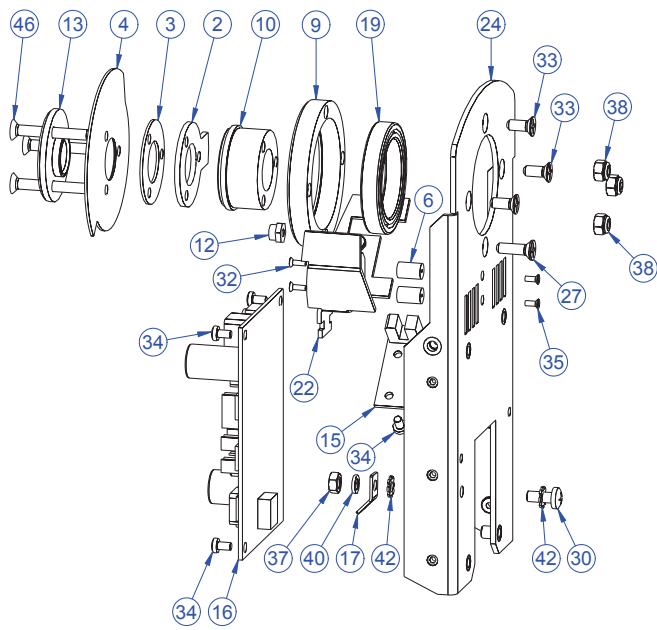
PRODUCT: Robin 800 LEDWash		
TITLE: Parts of locking		
DOCUMENT: 99013593		
VERSION: 1	DATE: 03.01.2013	SHEET: 05 OF 11



PRODUCT: Robin 800 LEDWash		
TITLE: Rear module of head		
DOCUMENT: 99013593		
VERSION: 1	DATE: 03.01.2013	SHEET: 06 OF 11

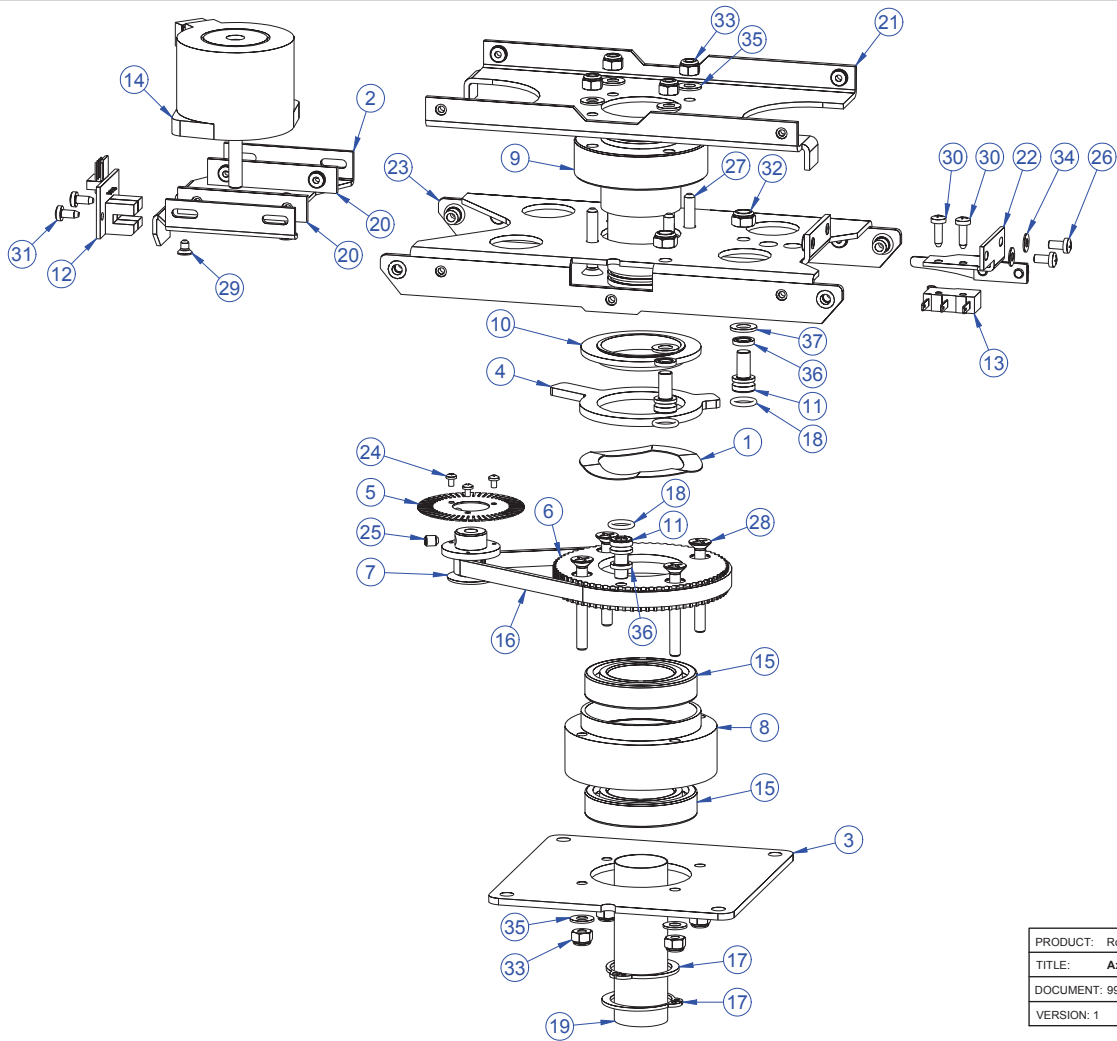


PRODUCT: Robin 800 LEDWash		
TITLE: Arm of head		
DOCUMENT: 99013673		
VERSION: 1	DATE: 03.01.2013	SHEET: 07 OF 11

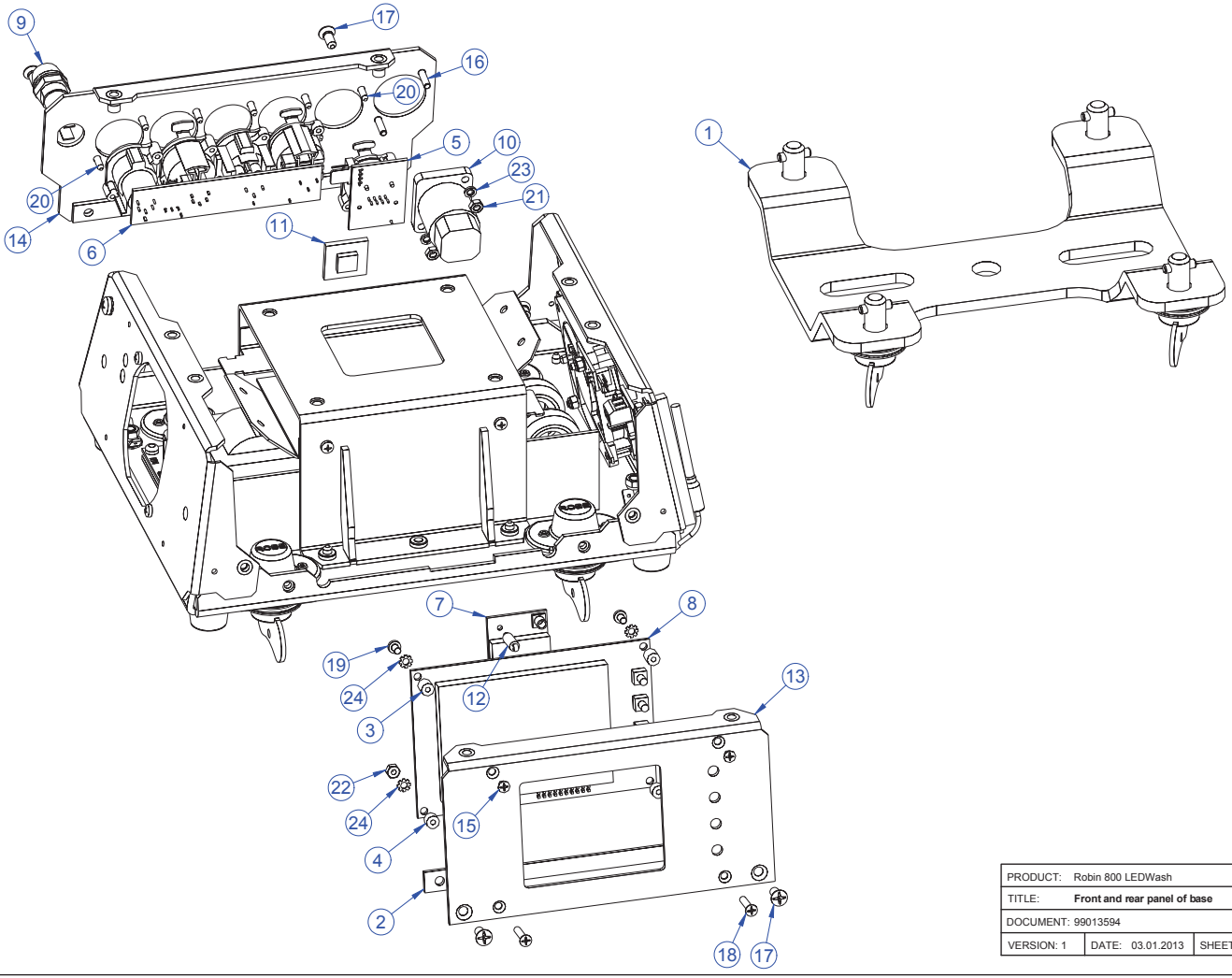


PRODUCT: Robin 800 LEDWash		
TITLE: Arm of axe "Y"		
DOCUMENT: 99013673		
VERSION: 1	DATE: 03.01.2013	SHEET: 08 OF 11

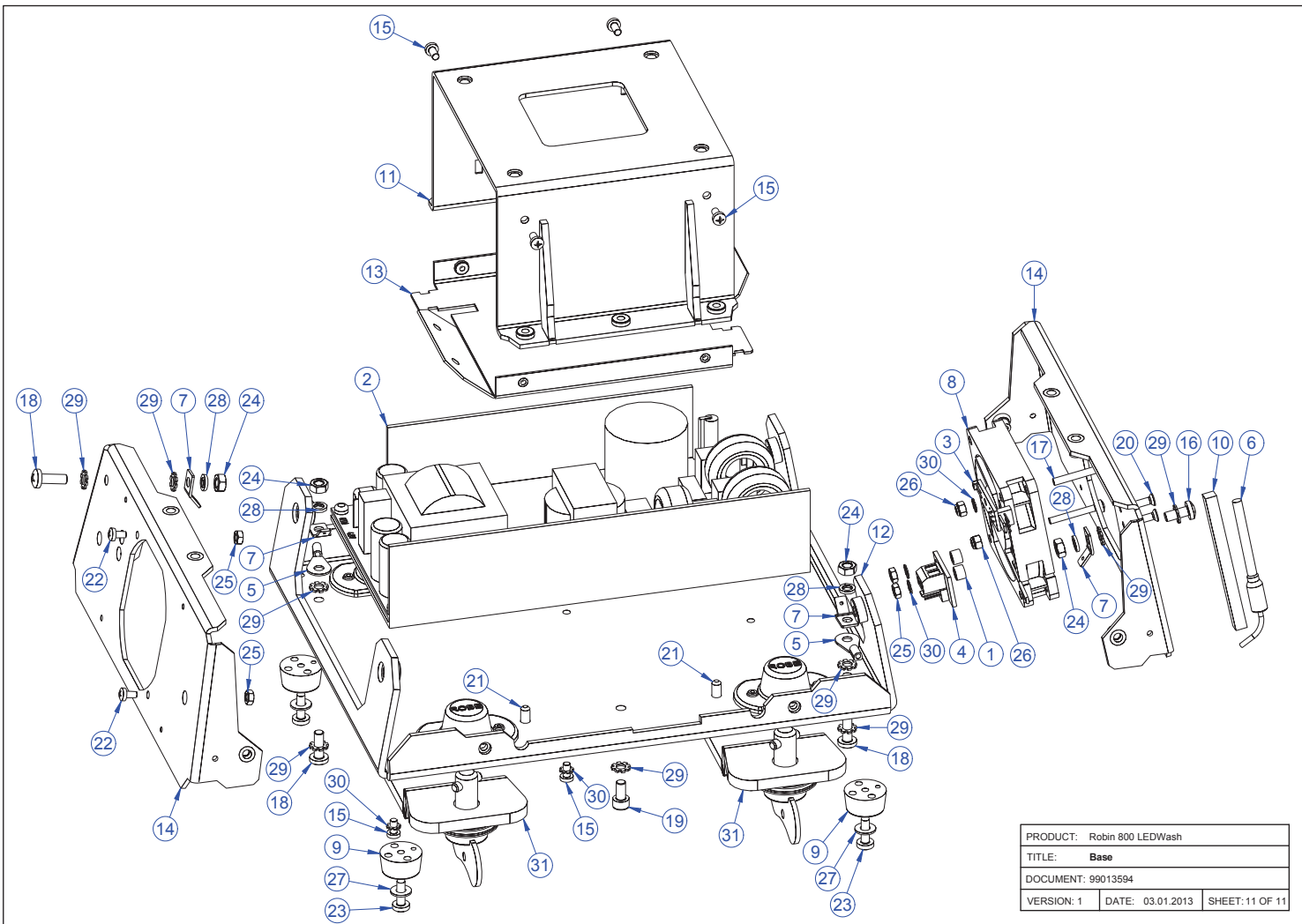




PRODUCT: Robin 800 LEDWash		
TITLE: Axe "X"		
DOCUMENT: 99013063		
VERSION: 1	DATE: 03.01.2013	SHEET: 09 OF 11



PRODUCT: Robin 800 LEDWash		
TITLE: Front and rear panel of base		
DOCUMENT: 99013594		
VERSION: 1	DATE: 03.01.2013	SHEET: 10 OF 11



PRODUCT: Robin 800 LEDWash		
TITLE: Base		
DOCUMENT: 99013594		
VERSION: 1	DATE: 03.01.2013	SHEET: 11 OF 11